

# TM40 INSTALLATION MANUAL.

IN THE PACKAGE YOU WILL RECEIVE FOLLOWING ITEMS FOR:

## SHAFT (PULLEY) SIDE

1pc: M8x40mm bolt

1pc: M8x45mm bolt

## FRONT SIDE

2pcs: M8x20mm bolts

1pc: Spacer 1mm

1pc: Spacer 4mm

## BASHGUARD

2 pcs: black brackets

2 pcs: M8x10 bolts

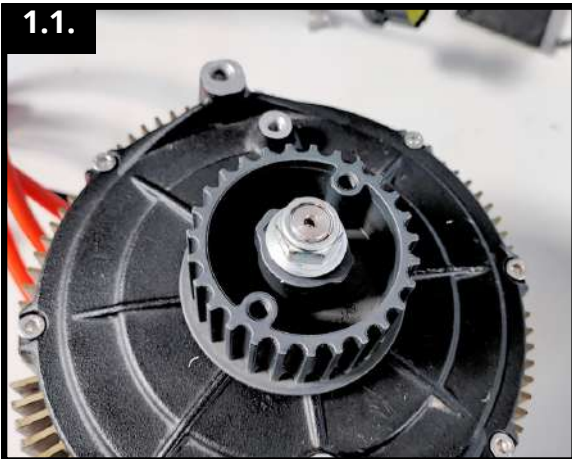
2 pcs: M8x16 bolts

The TM40 motor has been developed for the SurRon Light Bee and the Torp Controllers, with the possibility of being paired with other controller brands. If used with other controller brands, contact those controller manufacturers if you need help with setting it up.

In order to successfully install the TM40 motor, follow the three following steps in said order: 1. Pulley installation, 2. Motor mounting, 3. Bashguard mounting.

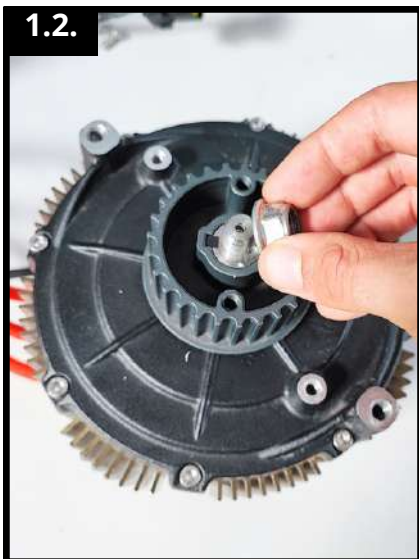
## 1. INSTRUCTIONS FOR PULLEY INSTALLATION

1.1.



Uninstall the stock motor.

1.2.



Remove this nut.



Remove the pulley with a lever, working a little from each side.



Remove the nut from the TORP motor.



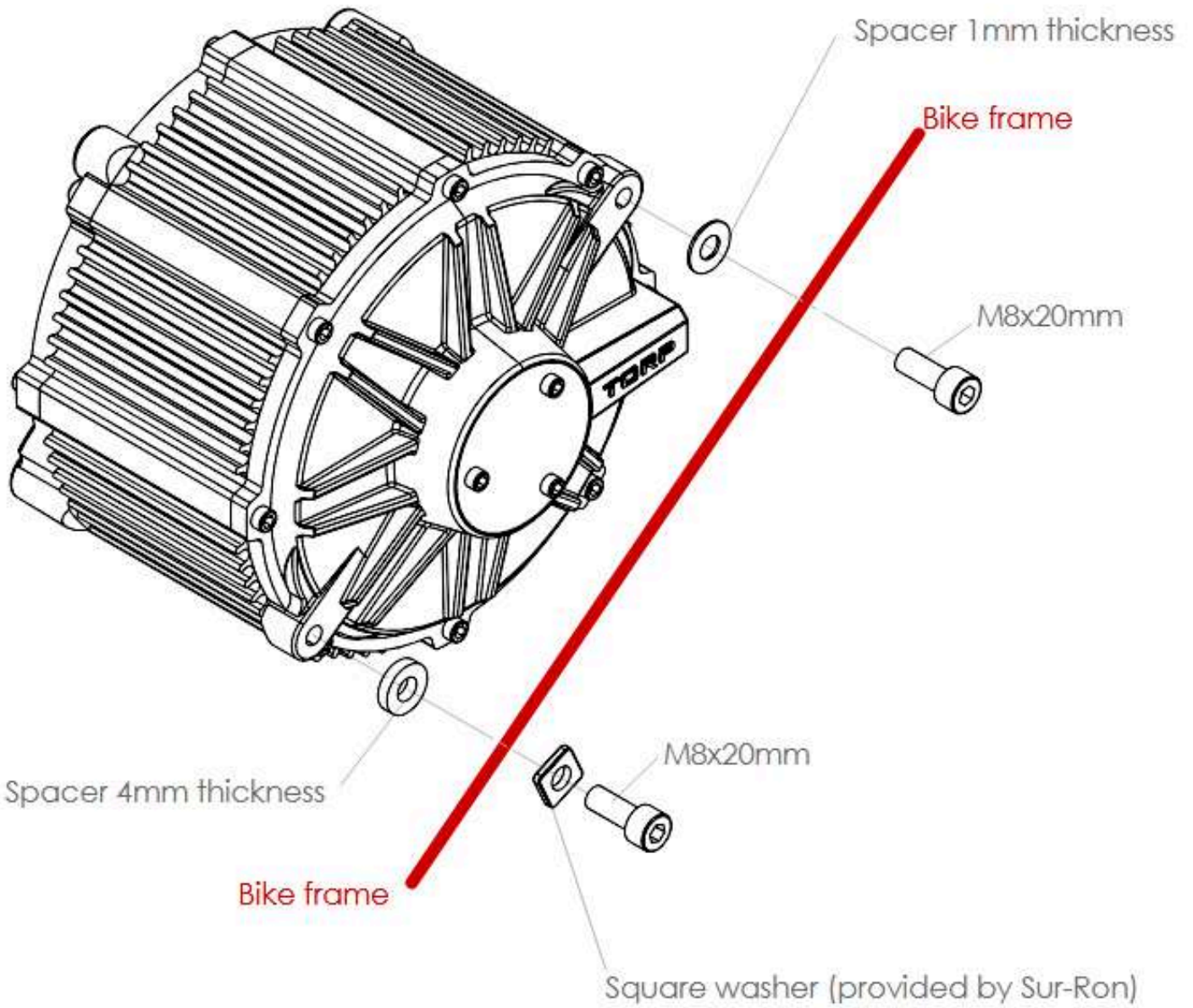
Mount the pulley on the shaft. The shaft key should be pre-mounted on the shaft.

Tighten the nut in clockwise direction.

## 2.TM40 MOUNTING INSTRUCTIONS

---

### 2.1.



2.2.

Spacer (provided by Sur-Ron)

M8x40

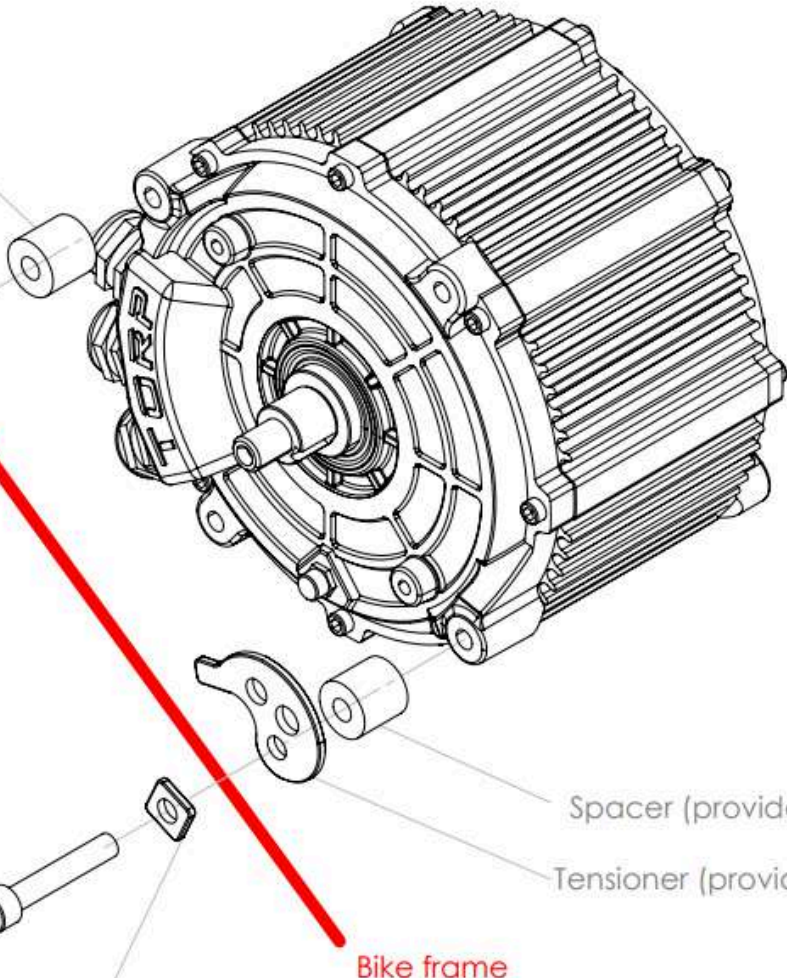
M8x45

Square washer (provided by Sur-Ron)

Spacer (provided by Sur-Ron)

Tensioner (provided by Sur-Ron)

Bike frame



2.3.



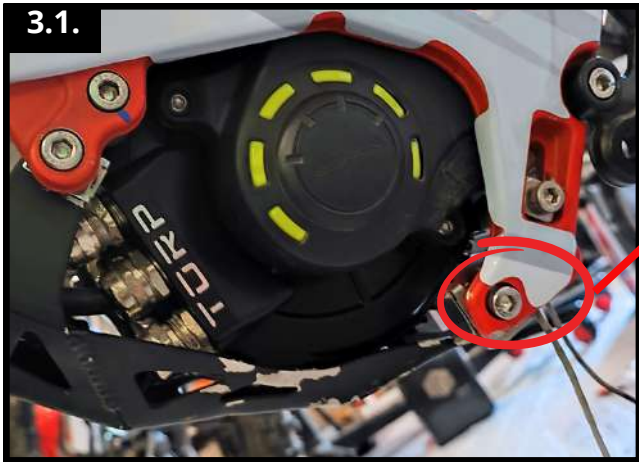
When everything is mounted, press the rear brake and tighten the nut (clockwise direction) a bit more to 40-50 Nm.

## 3.BASHGUARD - MOUNTING INSTRUCTIONS

---

In the package, you received two sets (one for each side) of the following:

- black brackets
- M8x10
- M8x16



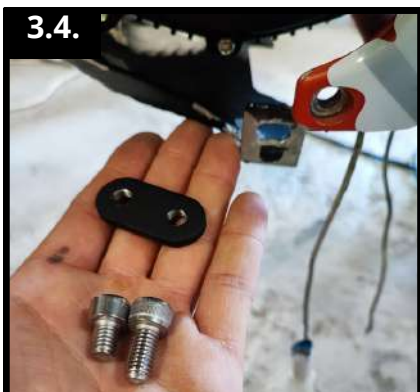
Usually the metal bashguard is mounted like this. However, in order to install the TM40 minor modifications are required.



3.2. Remove this screw.



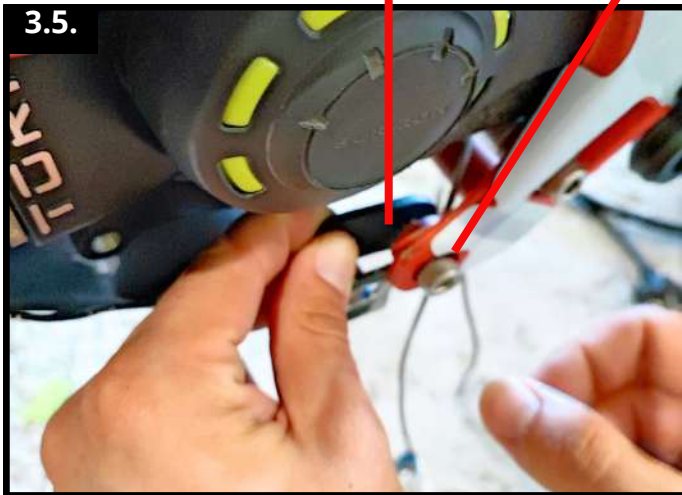
3.3. Remove the "M8 U-clips".



3.4. Prepare:

- black brackets
- M8x10
- M8x16

Black bracket M8x16



Place the black bracket on the inner side of the bike frame, then screw the bracket **loosely** to the bike frame with the M8x16 screw.

Black bracket



Lift the bashguard so that the mounting hole lines up with the threaded hole on the black bracket. Ensure that the black bracket is positioned inside the bashguard. Once everything is aligned, loosely attach the bashguard to the black bracket using the M8x10 screw.

M8x10

- 3.7. When everything is in place, tighten both screws securely. Repeat this process on both sides.

**How to use it with Torp Controllers:** Once the motor is installed on the bike and connected to the Torp Controller, connect to the Torp App. Visit the 5th screen of the Torp App and navigate to the CALIBRATION. Start the SETUP WIZARD and select the TM40 from the options presented. Follow the calibration wizard so everything is set up correctly.